

VAZO*

EVAPORATIVE
Cooling Units

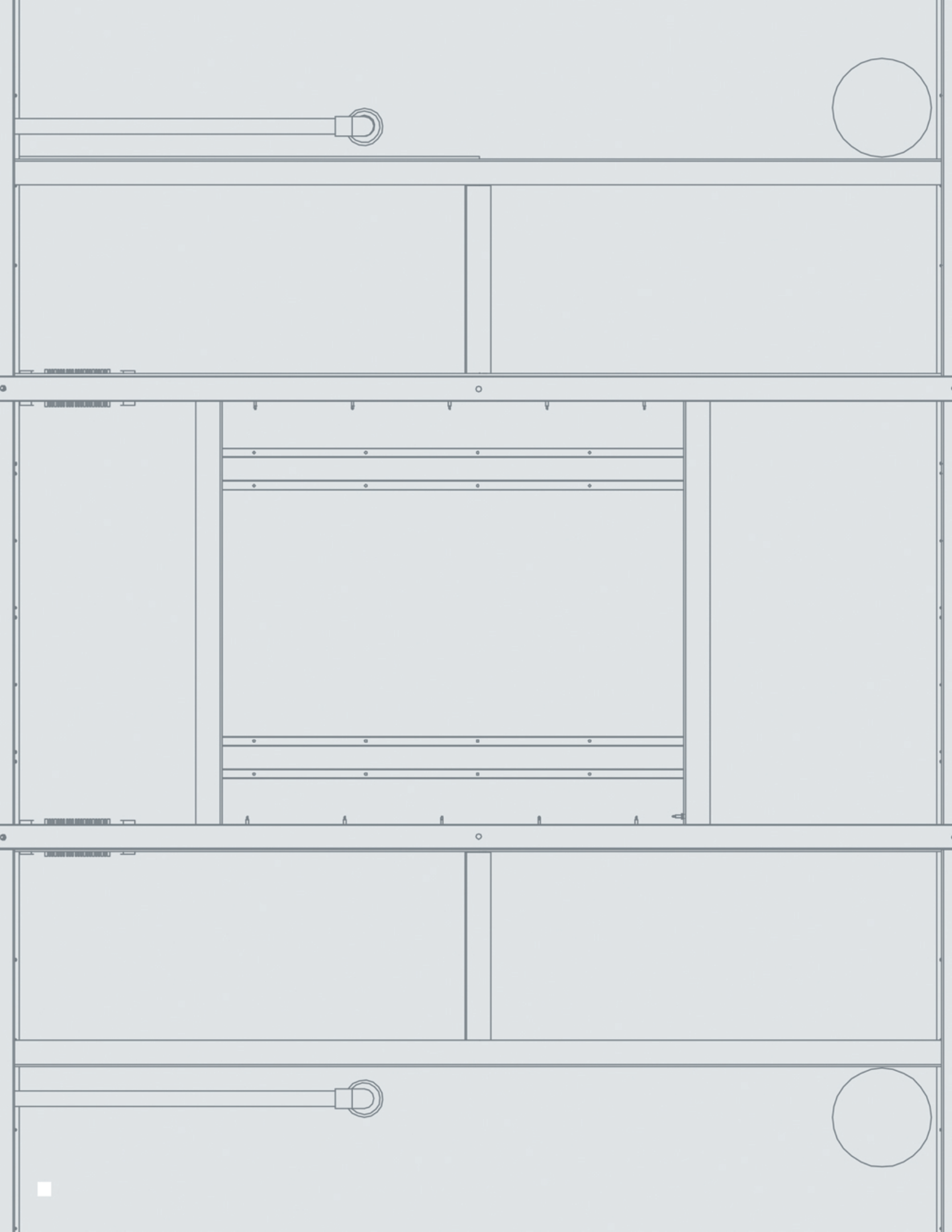
VAL



BY



Climas
International
Co.



General Information



The **evaporative cooling unit of Climas International, called VAL**, offers a reliable alternative for systems in which it is necessary to decrease the temperature by means of a simple and economical method. These equipments incorporate the best materials in their manufacture in order to provide the market with an equipment of excellent characteristics and flow-pressure presentations.

Its design was focused on meeting the needs that the specification of these equipment requires, seeking the improvement in efficiency and the achievement of a set of fan, box and panels of excellent quality and with details unsurpassed by any other equipment on the Market.

Model Description

VAL - H - 72 - 12

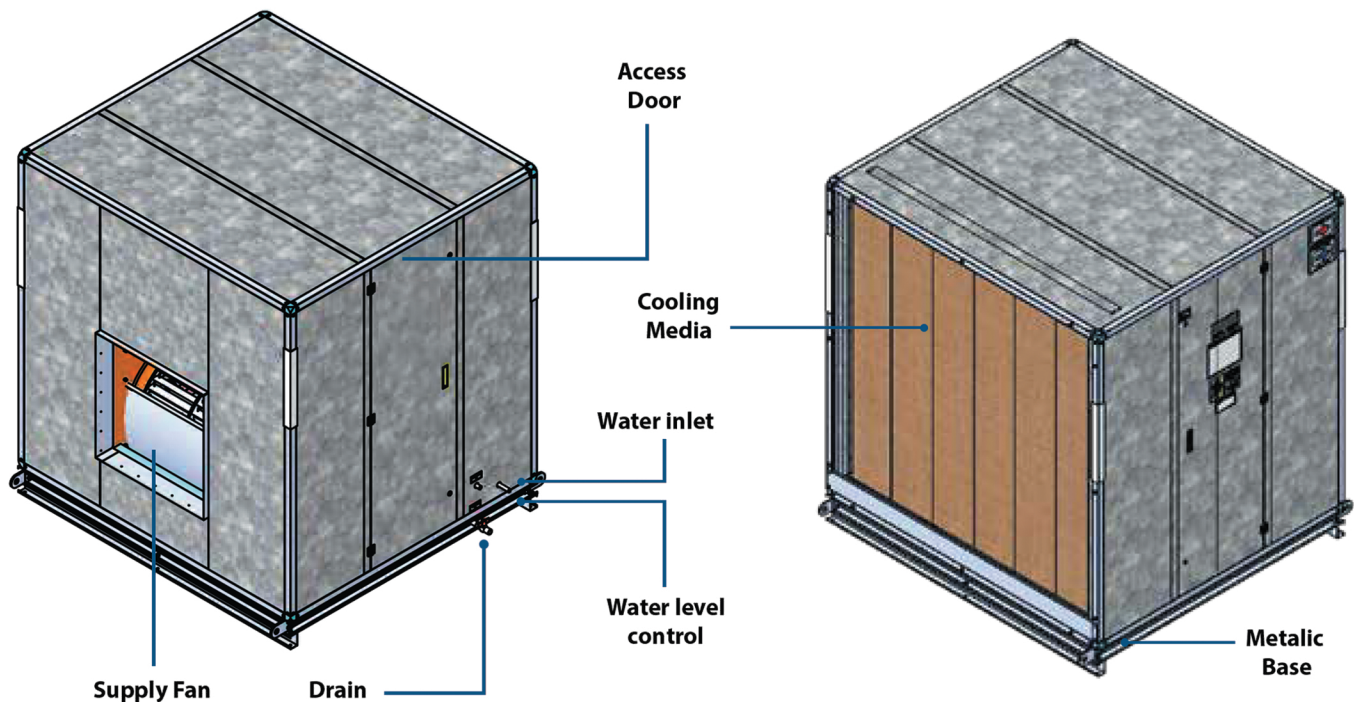
Model
VAL Evaporative
cooling units

**Air discharge
Location**
H: Horizontal
V: Vertical

**Dimension of
the Area**
9, 16, 25, 36, 45
72 y 96

Panel thickness
4", 8", 12"

Construction Features



Metalic Base in galvanized sheet

Panels, Profiles and Floors. Made of galvanized sheet and finished in polyester powder paint

Centrifugal fan with double suction, with impeller of forward curved blades and dynamically balanced to grade G 6.3 following the provisions of the ISO 1940 or AMCA 204 regulations. in addition, they have been approved to have the AMCA certified performance seal in accordance with procedures developed with the AMCA 211.

Tubs made of orthophthalic polyester resin reinforced with fiberglass. coated with GEL-coat finish, material used to give quality characteristics to the surface of a composite material with reinforced fiber. resulting in a pigmented and shiny finish. on request in stainless Steel Material.

Access Doors with hexagonal latches and hinges

PVC pipe water circulation system with water inlet, stop valve, maintenance drain and pipe for level control when the pump is turned off.

Cooling Media made of corrugated paper 100% wood cellulose, as well as resins of the highest quality. it contains special additives and bactericides to prevent the formation of microorganisms and foam. the maximum speed without water entrainment is 700 PPM.

Level Switch is activated by pressure to a diaphragm, which in turn activates a switch supplying electric power to the pump. the pressure on the diaphragm is caused by the water level rising around the switch box.

Technical Features

Model	HP	Flow to free discharge		Panel Dimensions			Number of cooling media	Total Area Square ft	Number of pumps	Pump Models	Unit Weight lb (kg)
		CFM	m ³ /hr	A in (mm)	B in (mm)	C in (mm)					
VAL 9	1/3	3,384	5,750	8 [203.2]	12 [304.8]	36 [914.4]	1	9	1	CP2- Little Giant	287(130)
	1/2	4,120	7,000								
	3/4	4,856	8,250								
	1	5,592	9,500								
	1 1/2	6,828	11,600								
VAL 16	1/2	5,886	10,000	12 [304.8]	12 [304.8]	48 [1219.2]	1	15	1	CP2- Little Giant	661(300)
	3/4	7,004	11,900								
	1	8,044	13,666								
	1 1/2	9,358	15,900								
	2	10,300	17,500								
	3	11,477	19,500								
VAL 25	1	9,712	16,500	12 (304.8)	12 [304.8]	60 (1524)	1	25	1	CP2-Little Giant	935 (424)
	1 1/2	10,948	18,600								
	2	12,301	20,900								
	3	14,067	23,900								
	5	16,098	27,350								
VAL 36	1 1/2	11,389	19,350	12 (304.8)	12 [304.8]	72 (1828.8)	1	36	1	5-MSP Little Giant	1449 (657.2)
	2	12,875	21,875								
	3	14,715	25,000								
	5	18,025	30,625								
	7 1/2	19,865	33,750								
	10	24,279	41,250								
VAL 45	1	8,181	13,900	12 (304.8)	12 [304.8]	72 (1828.8)	1	45	1	5-MSP Little Giant	2120(961.4)
	1.5	11,477	19,500								
	2	14,126	24,000								
	3	18,835	32,000								
	5	22,248	37,800								
	7.5	26,251	44,600								
VAL 72	5	22,072	37,500	12 [304.8]	12 [304.8]	72 [1828.8]	2	72	2	5-MSP Little Giant	2,116 (960)
	7 1/2	25,750	43,750								
	10	28,693	48,750								
	15	34,550	58,700								
	20	38,258	65,000								
VAL 96	10	36,816	62,550	12 [304.8]	12 [304.8]	72 [1828.8]	2	96	2	5-MSP Little Giant	2,910 (1320)
	15	43,408	73,750								
	20	47,822	81,250								
	25	51,501	87,500								
	30	55,915	95,000								
	40	60,330	102,500								

Main Features VAL 9

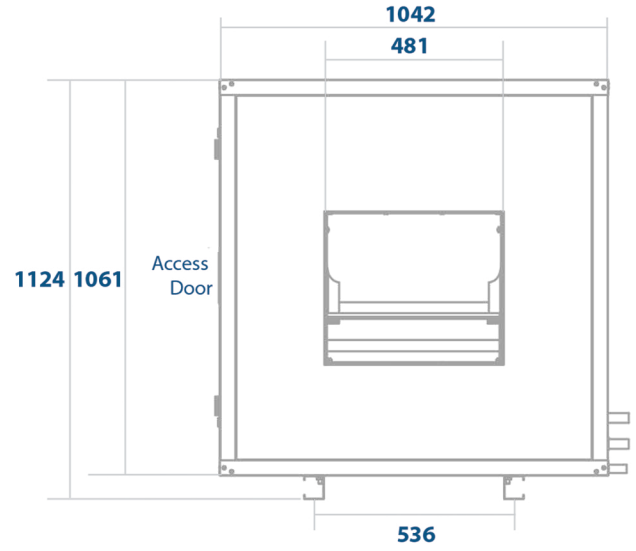
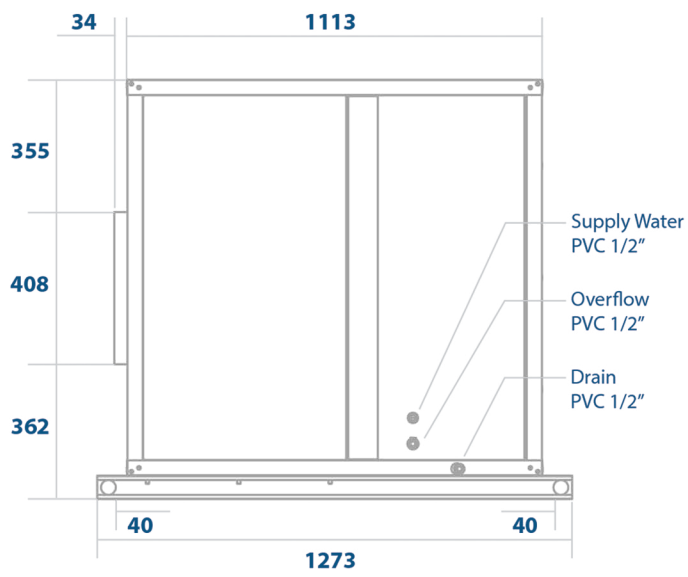
Filtering Area	Specification				
	# of Walls	Media face area	Pad Cooling		Thickness
	1	9 ft2 (0.84 m2)	Made with corrugated cellulose paper with 45 degree flute angles bonded together, the pads wet faster and result in immediate cooling and potentially less system running time. These pads are 100% biodegradable and recyclable.		8 in (203 mm)
Pump	Model	Voltage	Hz	HP	Note
	CP2-115 Little Giant	115	60	1/50	Standard
Components	Bearings	Wet Section		Wet Section Capacity (Lts)	
	Floor	1		28.85	
Set	Max CFM	Static Pressure	Max Power	Max Face Velocity	Max RPM
	6,828 CFM (11,600 m2/hr)	1 inwg (25.4 mmca)	1.12 Kw (1-1/2 HP)	699 ft/min (3.55 m/seg)	702
Accessories	Louver	Damper	Metal Sreen Bird	Filters Holders/ Aluminum Filters	Stainless Steel Wet Section

HP	STATIC PRESSURE inwg / mmca									
	0.250" / 6.35 mm		0.312" / 7.93 mm		0.375" / 9.53 mm		0.438" / 11.11 mm		0.500" / 12.7 mm	
	RPM dB(A)	CFM m ³ /hr	RPM dB(A)	CFM m ³ /hr	RPM dB(A)	CFM m ³ /hr	RPM dB(A)	CFM m ³ /hr	RPM dB(A)	CFM m ³ /hr
1/3	385	3,282.8	390	3,181.3	408	2,978.2	440	2,775.2	465	2,551.1
	61.3	5,577.5	59.2	5,405	57.4	5,060	55.7	4,715	54.2	4,334.4
1/2	398	3,902.3	402	3,722.8	431	3,583.3	445	3,386.4	478	3,215.1
	63.5	6,630	61.3	6,325	59.6	6,088	58	5,753.5	56.6	5,462.5
3/4	415	4,581.5	430	4,425.4	456	4,373.9	460	4,139.1	483	3,976.6
	65.6	7,784	63.5	7,518.7	61.8	7,431.3	60.3	7,032.3	58.9	6,756.3
1	495	5,310.8	490	5,102.2	498	5,050.8	497	4,894.4	501	4,790.2
	69.9	9,023	67.7	8,668.7	66.1	8,581.3	64.6	8,315.7	63.4	8,138.6
1 1/2	580	6,518.2	570	6,294.9	530	6,091.8	570	5,888.8	575	5,687.7
	74.2	11,074.5	72.1	10,695	70.3	10,350	68.8	10,005	67.5	9,663.5

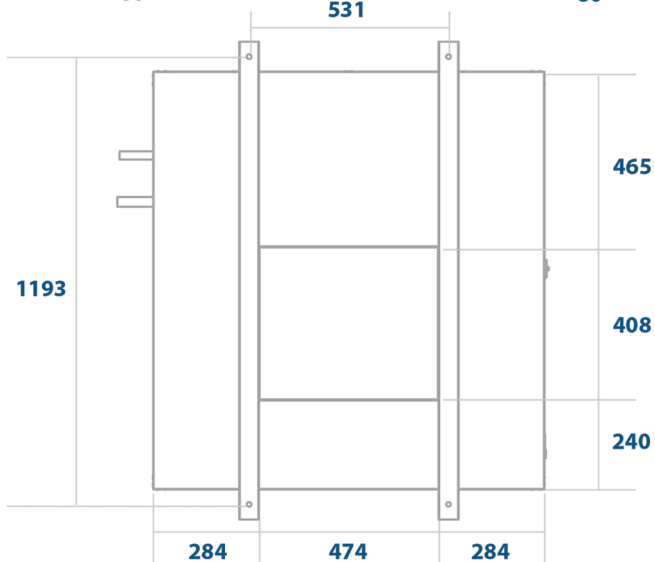
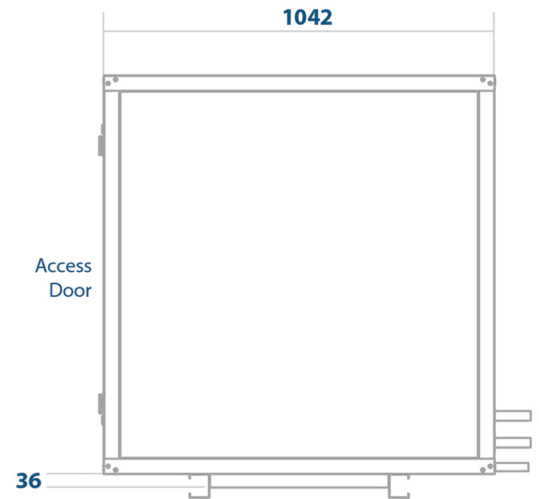
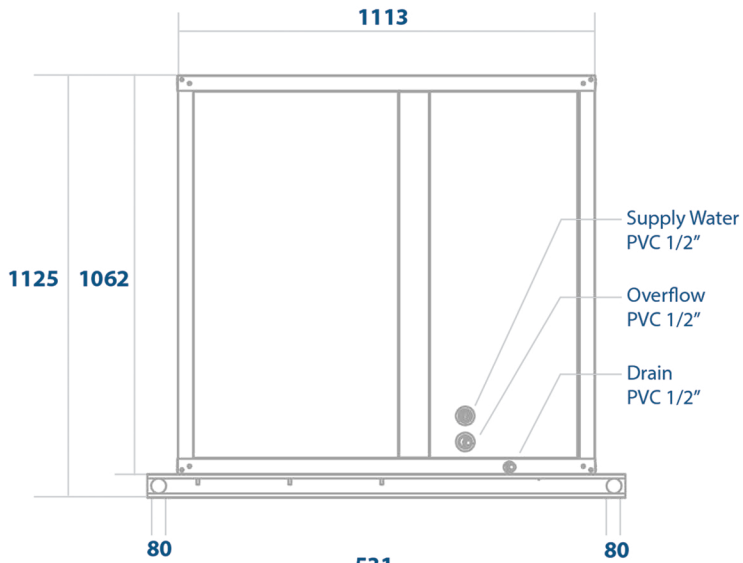
HP	STATIC PRESSURE inwg / mmca									
	0.625" / 15.88 mm		0.687" / 17.46 mm		0.75" / 19.05 mm		0.875" / 22.23 mm		1.00" / 25.4 mm	
	RPM dB(A)	CFM m ³ /hr	RPM dB(A)	CFM m ³ /hr	RPM dB(A)	CFM m ³ /hr	RPM dB(A)	CFM m ³ /hr	RPM dB(A)	CFM m ³ /hr
1/3	542	2,050.9	590	1,621.1	615	1,602.8				
	51.3	3,484.5	49.8	2,754.3	48.6	2,723.2				
1/2	520	2,988.4	555	2,775.2	593	2,685.8	650	2,316.7	702	1,977
	54.3	5,077.3	53.2	4,715	52.3	4,563.2	61.3	3,936	48.5	3,359
3/4	518	3,682.2	550	3,583.3	575	3,453.4	615	3,147.7	678	2,877
	56.6	6,256	55.7	6,088.1	54.8	5,867.3	64	5,348	51.4	4,888
1	538	4,477.5	560	4,373.9	570	4,269.7	608	3,976.6	660	3,742.2
	61.1	7,607.3	60.2	7,431.3	59.4	7,254.2	68.7	6,756.3	56.3	6,358
1 1/2	580	5,448.8	593	5,414.9	601	5,310.8	630	5,102.2	680	4,894.6
	65.4	9,257.5	64.6	9,200	63.7	9,023	73.2	8,668.7	60.9	8,316

DO NOT CHOOSE (VELOCITY OUT OF THE RECOMMENDED RANGE)

Dimensions. VALH 9



Dimensions. VALV 9



Bottom view

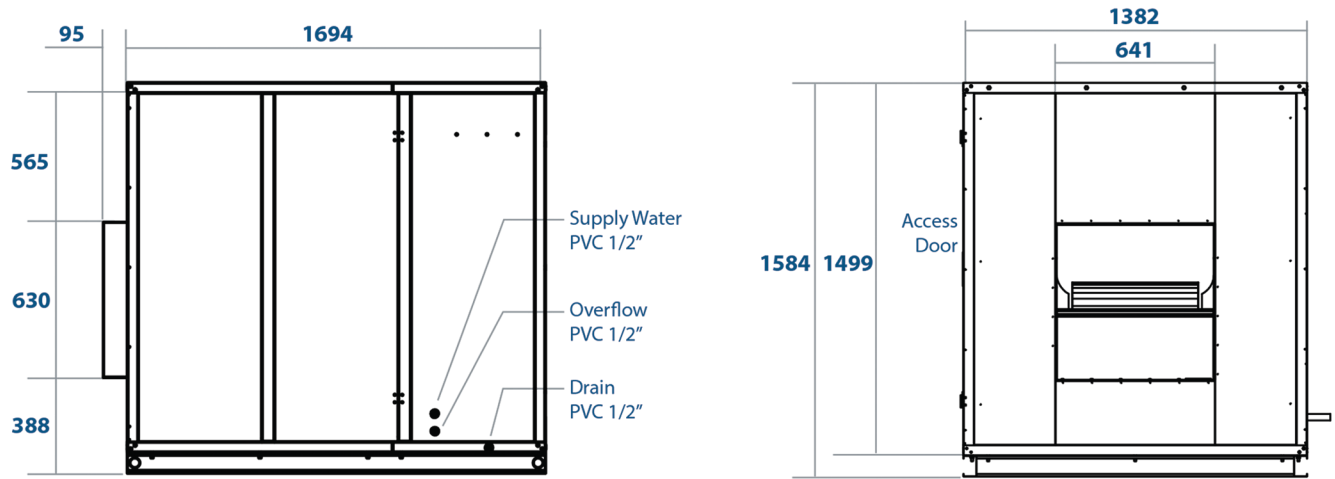
Main Features VAL 16

Filtering Area	Specification				
	# of Walls	Media face area	Pad Cooling		Thickness
	1	16 ft2 (1.486 m2)	Made with corrugated cellulose paper with 45 degree flute angles bonded together, the pads wet faster and result in immediate cooling and potentially less system running time. These pads are 100% biodegradable and recyclable.		12 in (304.8 mm)
Pump	Model	Voltage	Hz	HP	Note
	CP2-115 Little Giant	115	60	1/50	Standard
Components	Bearings	Wet Section		Wet Section Capacity (Lts)	
	Floor	1		48.60	
Set	Max CFM	Static Pressure	Max Power	Max Face Velocity	Max RPM
	11,477 CFM (19,500 m3/hr)	1 inwg (25.4 mmca)	2.24 Kw (3 HP)	682 ft/min (3.46 m/seg)	548
Accessories	Louver	Damper	Metal Sreen Bird	Filters Holders/ Aluminum Filters	Stainless Steel Wet Section

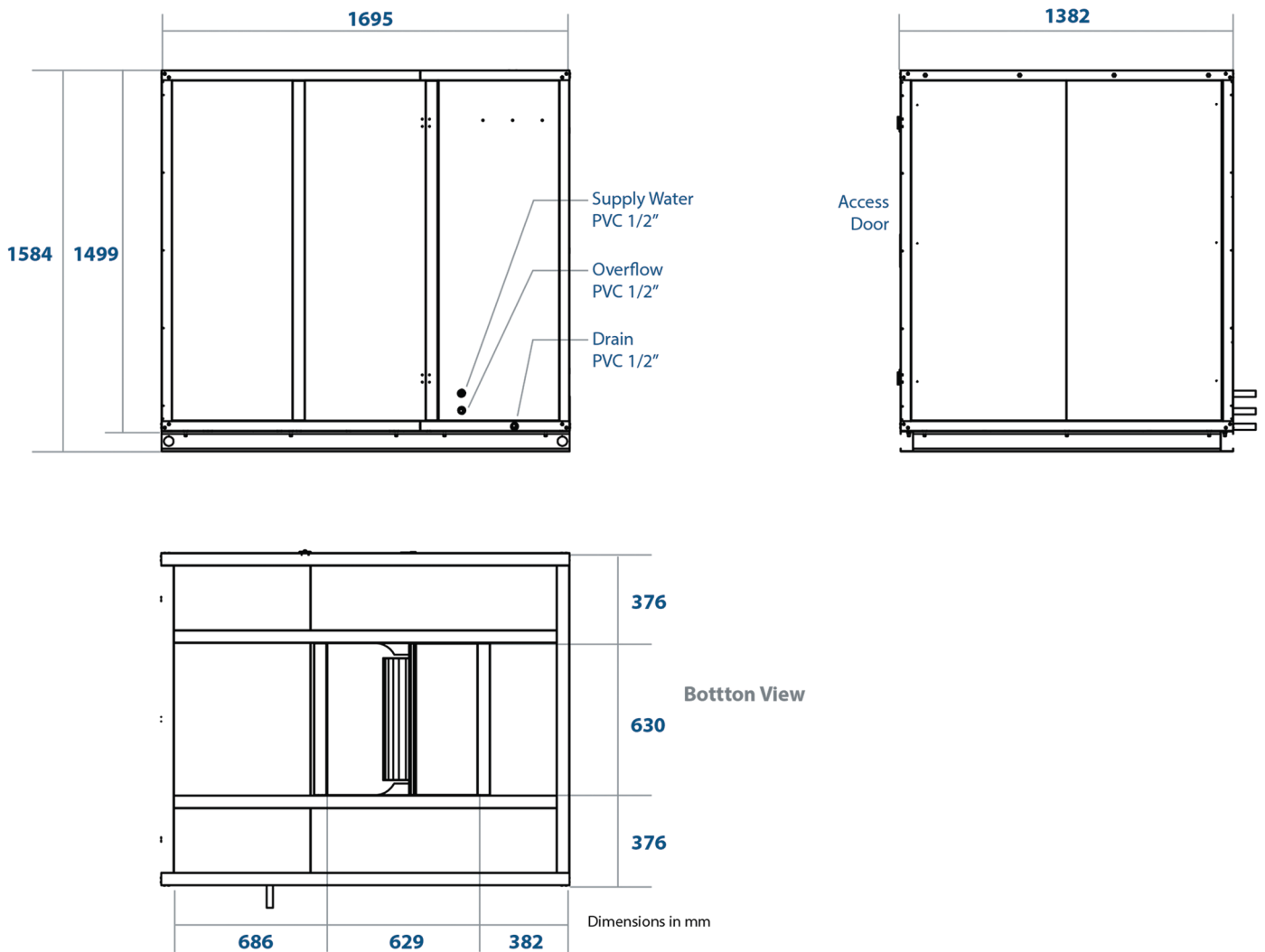
HP	STATIC PRESSURE inwg / mmca									
	0.250" / 6.35 mm		0.312" / 7.93 mm		0.375" / 9.53 mm		0.438" / 11.11 mm		0.500" / 12.7 mm	
	RPM dB(A)	CFM m³/hr	RPM dB(A)	CFM m³/hr	RPM dB(A)	CFM m³/hr	RPM dB(A)	CFM m³/hr	RPM dB(A)	CFM m³/hr
1/2	294	5,102	303	5,259	321	4,362	347	3,981	370	3,663
	61.4	8,669	63.0	8,934	61.3	7,411	63.6	6,764	63.5	6,224
3/4	318	6,295	329	6,032	350	5,686	358	5,363	383	5,102
	64.4	10,695	65.3	10,249	65.0	9,660	67.0	9,111	67.3	8,669
1	350	7,318	367	6,860	372	6,760	381	6,498	395	6,102
	67.0	12,433	67.9	11,655	67.4	11,485	69.6	11,040	69.4	10,367
1 1/2	388	8,690	398	8,323	400	8,049	411	7,683	412	7,318
	70.0	14,764	70.8	14,142	70.0	13,676	72.2	13,054	71.7	12,433
2	406	9,513	425	9,330	433	8,964	442	8,872	452	8,690
	71.4	16,162	72.7	15,852	72.0	15,229	74.5	15,074	74.6	14,764
3	475	10,905	481	10,780	487	10,529	492	10,403	496	10,152
	74.6	18,528	75.6	18,315	75.0	17,889	77.4	17,676	77.2	17,248

HP	STATIC PRESSURE inwg / mmca									
	0.625" / 15.88 mm		0.687" / 17.46 mm		0.75" / 19.05 mm		0.875" / 22.23 mm		1.00" / 25.4 mm	
	RPM dB(A)	CFM m³/hr	RPM dB(A)	CFM m³/hr	RPM dB(A)	CFM m³/hr	RPM dB(A)	CFM m³/hr	RPM dB(A)	CFM m³/hr
1/2	413	3,015								
	63.7	5,123								
3/4	414	4,374	439	4,061	458	3,782				
	67.9	7,431	61.4	6,900	61.1	6,426				
1	428	5,415	441	5,154	461	4,842	491	4,374	523	3,893
	70.0	9,200	63.8	8,757	63.3	8,227	63.4	7,431	60.5	6,615
1 1/2	439	6,566	453	6,363	483	6,108	497	5,550	525	5,102
	72.3	11,155	66.3	10,810	66.5	10,378	65.9	9,430	63.3	8,669
2	472	8,283	477	8,015	488	7,682	501	7,125	533	6,735
	75.5	14,073	69.2	13,618	69.0	13,051	68.5	12,105	66.2	11,443
3	500	9,708	502	9,530	513	9,262	522	8,906	548	8,550
	77.7	16,493	71.6	16,191	71.4	15,737	71.2	15,132	69.0	14,527

Dimensions VALH 16



Dimensions VALV 16



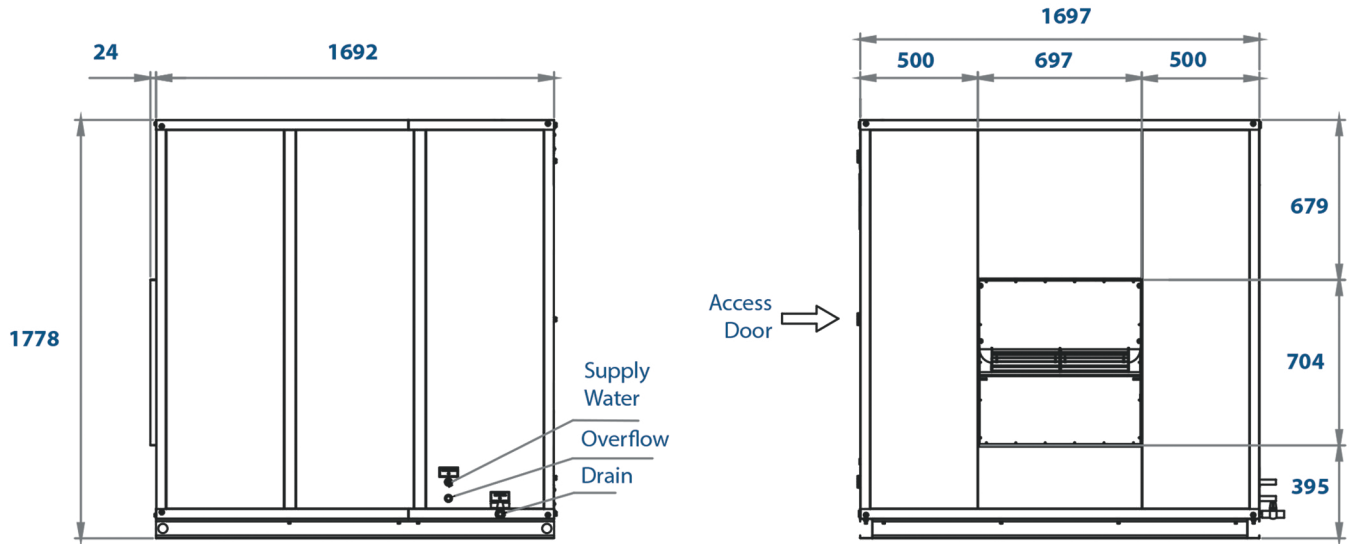
Main Features VAL 25

Filtering Area	Specification				
	# of Walls	Media face area	Pad Cooling		Thickness
	1	25 ft2 (2.32 m2)	Made with corrugated cellulose paper with 45 degree flute angles bonded together, the pads wet faster and result in immediate cooling and potentially less system running time. These pads are 100% biodegradable and recyclable.		12 in (304.8 mm)
Pump	Model	Voltage	Hz	HP	Note
	CP2-115 Little Giant	115	60	1/50	Standard
Components	Bearings	Wet Section		Wet Section Capacity (Lts)	
	Floor	1		60	
Set	Max CFM	Static Pressure	Max Power	Max Face Velocity	Max RPM
	16,098 CFM (27350 m3/hr)	1.5 inwg (38.1 mmca)	3.73 Kw (3 HP)	610 ft/min (3.46 m/seg)	548
Accessories	Louver	Damper	Metal Sreen Bird	Filters Holders/ Aluminum Filters	Stainless Steel Wet Section

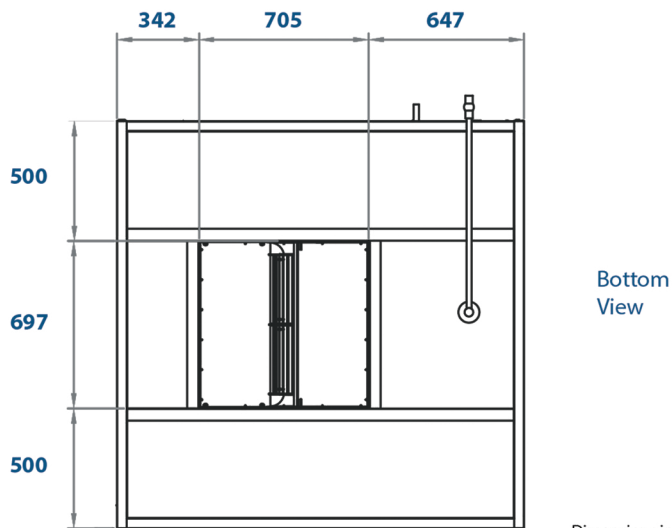
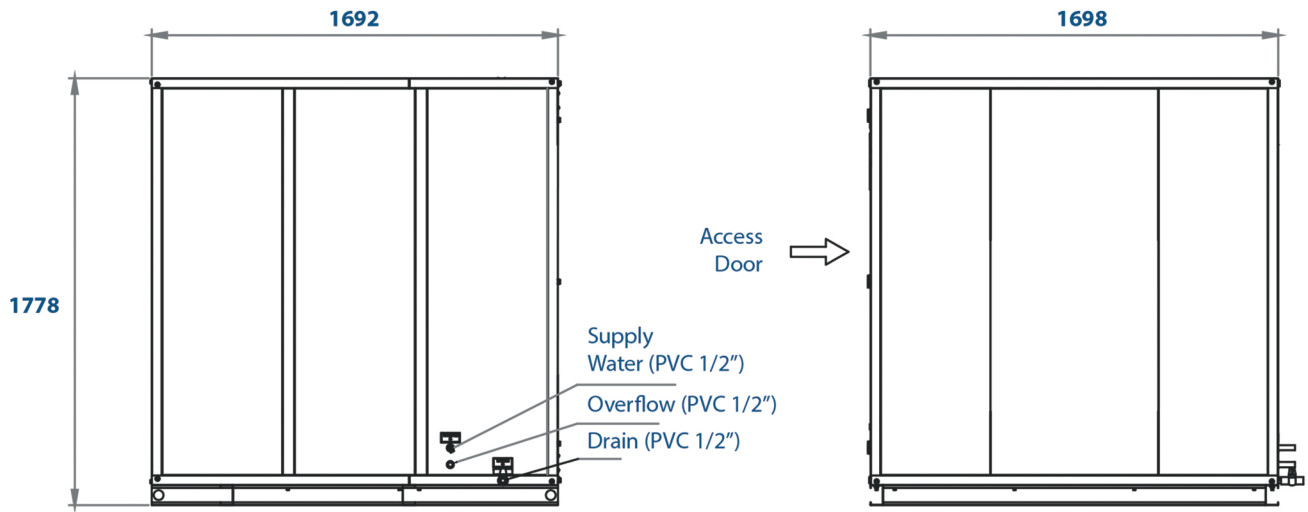
HP	STATIC PRESSURE inwg / mmca											
	0.250" / 6.35 mm		0.312" / 7.93 mm		0.375" / 9.53 mm		0.438" / 11.11 mm		0.500" / 12.7 mm		0.625" / 15.87 mm	
	RPM dB(A)	CFM m³/hr	RPM dB(A)	CFM m³/hr	RPM dB(A)	CFM m³/hr	RPM dB(A)	CFM m³/hr	RPM dB(A)	CFM m³/hr	RPM dB(A)	CFM m³/hr
1	298	8550	300	8015	308	7392	317	6769	342	6338	363	5429
	62.7	14527	62.9	13618	60.7	12559	61.5	11500	61.2	10769	60.5	9224
1 1/2	315	9980	322	9633	329	9199	344	8851	358	8504	385	7723
	65.2	16956	65.6	16366	64.0	15629	65.2	15039	64.7	14449	64.7	13122
2	350	11362	359	10878	365	10636	370	10066	375	9719	396	9025
	67.7	19304	68.1	18482	66.7	18071	67.3	17103	66.6	16513	66.6	15333
3	406	13054	404	12691	403	12329	402	12087	400	11604	425	10999
	70.9	22179	71.0	21563	69.3	20947	70.1	20536	69.0	19714	69.5	18688
5	475	15273	478	14926	480	14752	485	14578	491	14405	496	14058
	74.3	25949	74.6	25359	73.1	25064	74.2	24769	73.7	24474	73.7	23884

HP	STATIC PRESSURE inwg / mmca											
	0.687" / 17.46 mm		0.750" / 19.05 mm		0.874" / 22.22 mm		1.000" / 25.4 mm		1.250" / 31.75 mm		1.500" / 38.1 mm	
	RPM dB(A)	CFM m³/hr	RPM dB(A)	CFM m³/hr	RPM dB(A)	CFM m³/hr	RPM dB(A)	CFM m³/hr	RPM dB(A)	CFM m³/hr	RPM dB(A)	CFM m³/hr
1	387	5125	406	4738	449	4128						
	60.7	8707	59.8	8050	59.8	7013						
1 1/2	392	7116	401	6646	437	6030	483	5432				
	64.2	12090	63.1	11292	63.3	10245	61.3	9229				
2	403	8678	410	8331	438	7550	469	6942	536	5784		
	66.5	14744	65.6	14154	65.6	12827	63.4	11794	66.6	9827		
3	433	10697	440	10184	456	9633	477	9199	521	7984	576	7376
	69.4	18175	66.4	17303	68.6	16366	66.5	15629	69.6	13564	69.9	12532
5	498	13885	499	13537	500	13054	511	12691	547	11724	584	11120
	73.7	23590	72.8	23000	72.7	22179	70.5	21563	74.0	19919	74.2	18893

Dimensions VALH 25



Dimensions VALV 25



Dimensions in mm

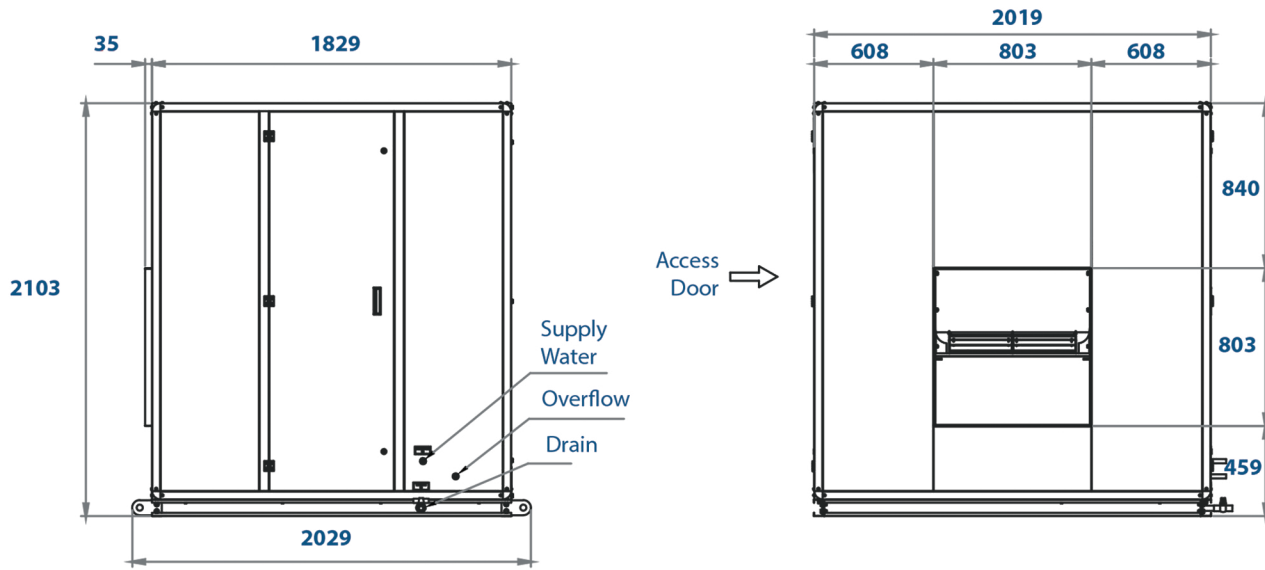
Main Features VAL 36

Filtering Area	Specification				
	# of Walls	Media face area	Pad Cooling		Thickness
	1	36 ft2 (3.34 m2)	Made with corrugated cellulose paper with 45 degree flute angles bonded together, the pads wet faster and result in immediate cooling and potentially less system running time. These pads are 100% biodegradable and recyclable.		12 in (304.8 mm)
Pump	Model	Voltage	Hz	HP	Note
	CP2-115 Little Giant	127	60	1/6	Standard
Components	Bearings	Wet Section		Wet Section Capacity (Lts)	
	Floor	1		85	
Set	Max CFM	Static Pressure	Max Power	Max Face Velocity	Max RPM
	24,279 CFM (41,250 m3/hr)	1.5 inwg (38.1 mmca)	7.46 Kw (10 HP)	698 ft/min (3.54 m/seg)	552
Accessories	Louver	Damper	Metal Sreen Bird	Filters Holders/ Aluminum Filters	Stainless Steel Wet Section

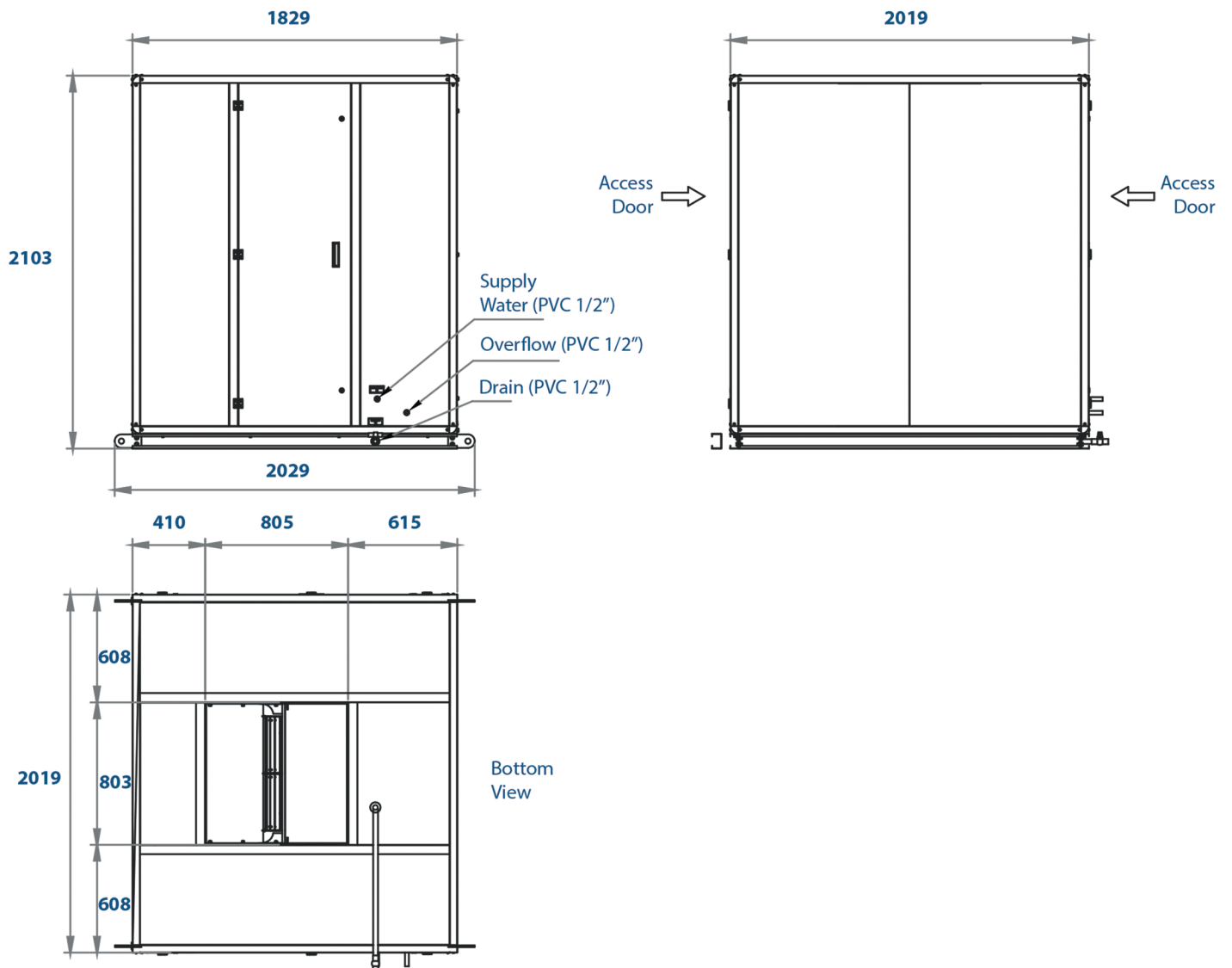
HP	STATIC PRESSURE inwg / mmca											
	0.250" / 6.35 mm		0.312" / 7.93 mm		0.375" / 9.52 mm		0.438" / 11.11 mm		0.500" / 12.7 mm		0.625" / 15.87 mm	
	RPM dB(A)	CFM m³/hr	RPM dB(A)	CFM m³/hr	RPM dB(A)	CFM m³/hr	RPM dB(A)	CFM m³/hr	RPM dB(A)	CFM m³/hr	RPM dB(A)	CFM m³/hr
1 1/2	252	10375	272	10035	281	9712	297	9403	310	9249	333	8324
	62.2	17628	64.0	17050	63.6	16500	63.5	15976	63.8	15714	63.8	14143
2	264	11870	278	11438	298	11114	311	10790	321	10575	347	9820
	64.1	20167	65.6	19433	65.6	18883	65.4	18332	65.5	17967	65.9	16683
3	312	14028	319	13720	328	13565	336	13180	344	12949	361	12382
	67.7	23833	69.0	23310	68.8	23048	68.3	22393	68.4	22000	68.7	21038
5	353	17573	361	17111	369	16957	377	16957	382	16648	400	15724
	71.4	29857	72.7	29071	72.4	28810	72.2	28810	72.2	28286	72.3	26714
7 1/2	380	19446	390	19435	400	19423	409	19204	438	19269	441	18807
	73.3	33040	74.9	33021	74.7	33000	74.4	32628	75.2	32738	75.3	31952
10	426	23739	429	23524	443	23092	450	22876	453	22670	474	22229
	76.6	40333	77.8	39967	77.6	39233	77.3	38867	77.2	38517	77.8	37767

HP	STATIC PRESSURE inwg / mmca											
	0.687" / 17.46 mm		0.750" / 19.05 mm		0.874" / 22.22 mm		1.000" / 25.4 mm		1.250" / 31.75 mm		1.500" / 38.1 mm	
	RPM dB(A)	CFM m³/hr	RPM dB(A)	CFM m³/hr	RPM dB(A)	CFM m³/hr	RPM dB(A)	CFM m³/hr	RPM dB(A)	CFM m³/hr	RPM dB(A)	CFM m³/hr
1 1/2	347	7708	352	7245	395	6366						
	63.5	13095	62.4	12310	62.7	10817						
2	357	9403	365	9095	392	8478	422	7553				
	65.8	15976	65.1	15452	65.5	14405	63.0	12833				
3	376	12086	383	11762	400	11114	421	10373	463	8941	518	7708
	68.9	20534	68.3	19983	68.4	18883	66.3	17623	69.3	15190	69.0	13095
5	409	15416	412	15107	432	14799	448	14182	477	12733	520	11546
	72.4	26191	71.7	25667	72.3	25143	70.1	24095	73.2	21633	73.2	19617
7 1/2	449	18652	454	18099	461	18190	483	17882	510	16648	541	15569
	75.4	31690	74.6	30750	75.1	30905	73.3	30381	76.7	28286	76.7	26452
10	480	21797	491	21581	502	21150	511	20718	547	19269	552	18344
	77.7	37033	77.3	36667	77.6	35933	74.0	35200	79.0	32738	78.5	31167

Dimensions VALH 36



Dimensions VALV 36



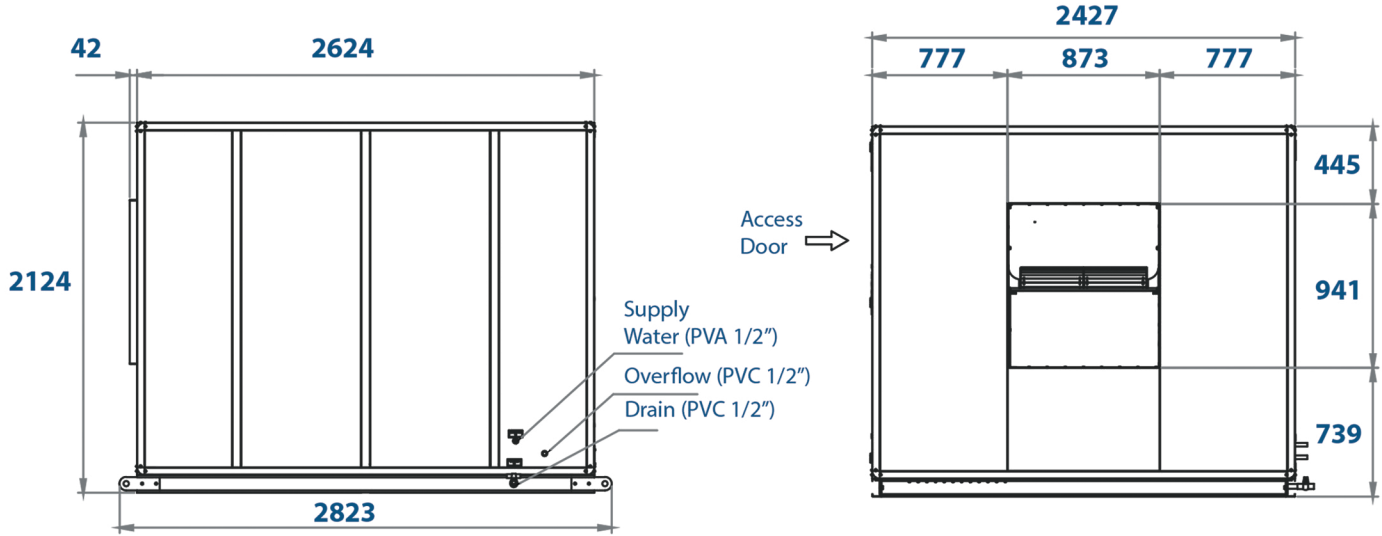
Main Features VAL 45

Filtering Area	Specification				
	# of Walls	Media face area	Pad Cooling		Thickness
	1	45 ft2 (4.18 m2)	Made with corrugated cellulose paper with 45 degree flute angles bonded together, the pads wet faster and result in immediate cooling and potentially less system running time. These pads are 100% biodegradable and recyclable.		12 in (304.8 mm)
Pump	Model	Voltage	Hz	HP	Note
	CP2-115 Little Giant	127	60	1/16	Standard
Components	Bearings	Wet Section		Wet Section Capacity (Lts)	
	Floor	1		109	
Set	Max CFM	Static Pressure	Max Power	Max Face Velocity	Max RPM
	26,251 CFM (44,600 m3/hr)	1.5 inwg (38.1 mmca)	5.59 Kw (10 HP)	583 ft/min (2.96 m/seg)	407
Accessories	Louver	Damper	Metal Sreen Bird	Filters Holders/ Aluminum Filters	Stainless Steel Wet Section

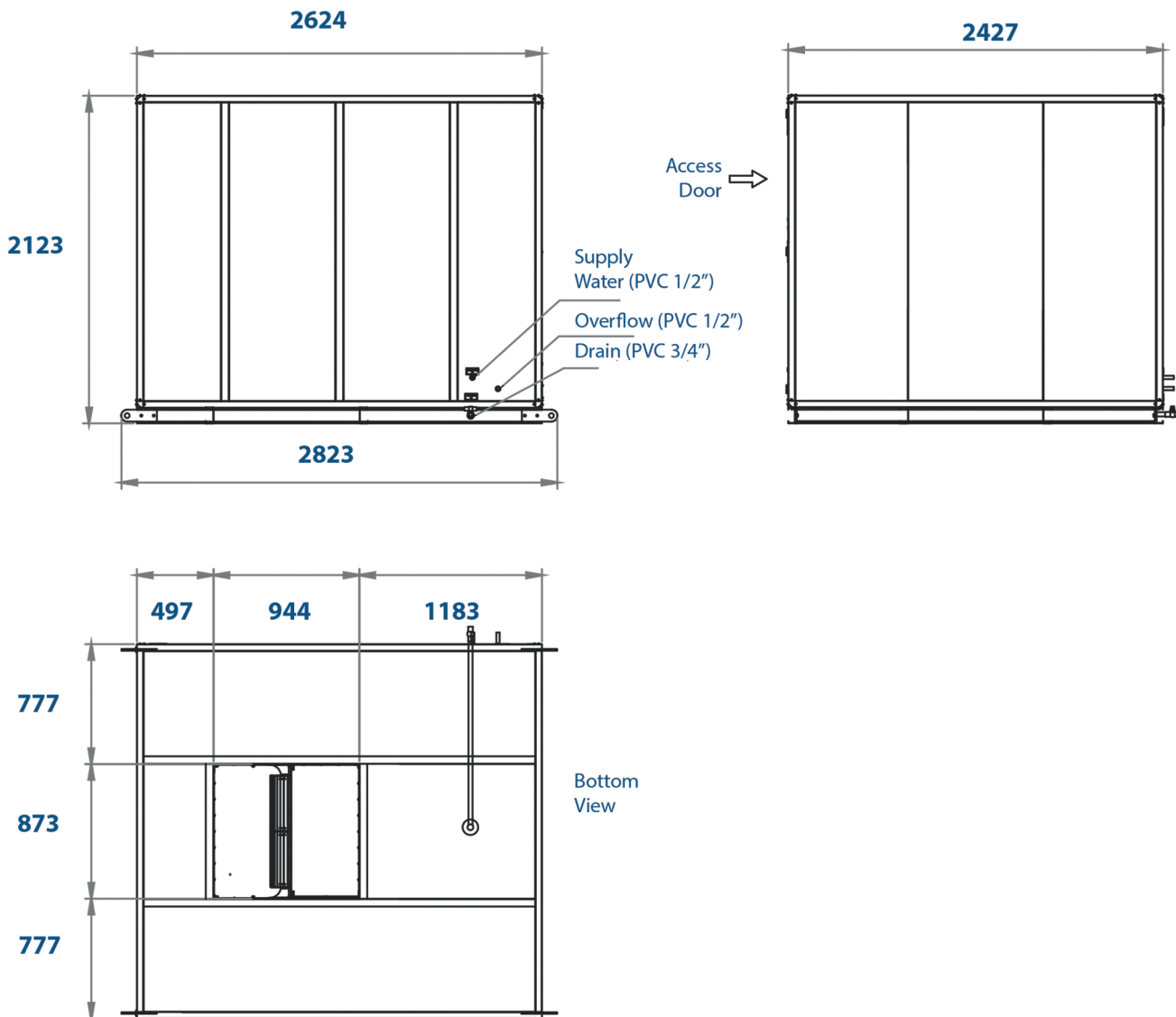
HP	STATIC PRESSURE inwg / mmca											
	0.250" / 6.35 mm		0.312" / 7.93mm		0.375" / 9.52mm		0.438" / 11.11mm		0.500" / 12.7mm		0.625" / 15.87mm	
	RPM dB(A)	CFM m³/hr	RPM dB(A)	CFM m³/hr	RPM dB(A)	CFM m³/hr	RPM dB(A)	CFM m³/hr	RPM dB(A)	CFM m³/hr	RPM dB(A)	CFM m³/hr
1	158	8173	182	8173	202	8088	215	7833	226	7492	261	6353
	57.7	13886	59.7	13886	58.1	13742	56.6	13308	56.7	12729	54	10794
1 1/2	172	11448	192	11199	208	10701	221	10328	228	10017	254	9195
	62	19450	63.5	19027	61.3	18181	59.7	17547	59.3	17019	57.5	15622
2	198	14133	205	13367	217	12692	229	12443	232	12017	258	11075
	65.8	24012	66.1	22711	63.5	21564	62	21141	61.8	20417	59.5	18816
3	250	20105	242	18050	247	17368	248	17028	251	16687	263	15155
	72.1	34158	71	30667	68.2	29508	66.1	28931	66	28351	62.9	25748
5	272	22185	273	22185	275	21723	2789	21261	285	21029	295	19400
	74	37692	74.5	37692	71.7	36907	69.7	36122	69.8	35728	61.4	32961
7 1/2	334	26223	320	25882	316	25651	314	25498	322	25420	318	24034
	79	44553	77.9	43974	74.9	43581	72.9	43321	73.2	43189	69.8	40834

HP	STATIC PRESSURE inwg / mmca											
	0.687" / 17.46mm		0.750" / 19.05 mm		0.874" / 22.22mm		1.000" / 25.4 mm		1.250" / 31.75mm		1.500" / 38.1mm	
	RPM dB(A)	CFM m³/hr	RPM dB(A)	CFM m³/hr	RPM dB(A)	CFM m³/hr	RPM dB(A)	CFM m³/hr	RPM dB(A)	CFM m³/hr	RPM dB(A)	CFM m³/hr
1	277	5765	283	5130								
	52.8	9795	51.5	8716								
1 1/2	274	8769	290	8173	305	7322	333	6118				
	56.9	14899	56.5	13886	54.7	12440	52.7	10394				
2	276	10399	287	9955	305	9195	335	8259	374	6556		
	58.7	17668	58.4	16914	57	15632	55.8	14032	52.9	11139		
3	280	14474	285	13963	301	12817	328	11946	370	9937	407	8003
	62.2	24591	61.7	23723	60.2	21776	59.3	20296	56.9	16883	54.4	13597
5	299	19071	303	18731	322	17709	326	17028	368	14985	401	12510
	65.8	32402	65.4	31824	64.2	30088	62.8	28931	61	25460	58.7	21254
7 1/2	327	23387	328	23109	340	22416	348	21492	378	19071	403	17709
	69.1	39735	68.4	39262	67.3	38085	65.9	36515	63.8	32402	63.1	30088

Dimensions VALH 45



Dimensions VALV 45



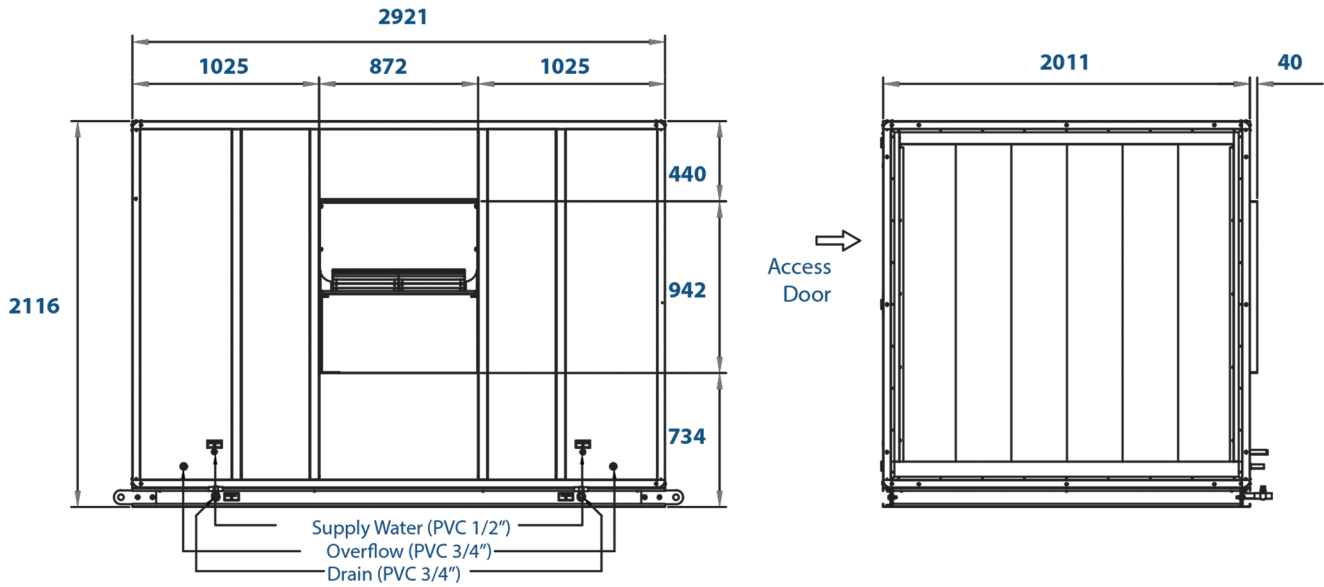
Main Features VAL 72

Filtering Area	Specification				
	# of Walls	Media face area	Pad Cooling		Thickness
	2	72 ft ² (6.69 m ²)	Made with corrugated cellulose paper with 45 degree flute angles bonded together, the pads wet faster and result in immediate cooling and potentially less system running time. These pads are 100% biodegradable and recyclable.		12 in (304.8 mm)
Pump	Model	Voltage	Hz	HP	Note
	5 MSP Little Giant	127	60	1/6	Standard
Components	Bearings	Wet Section		Wet Section Capacity (Lts)	
	Floor	1		87.58	
Set	Max CFM	Static Pressure	Max Power	Max Face Velocity	Max RPM
	38,258 CFM (65,000 m ³ /hr)	1.5 inwg (38.1 mmca)	14.91 Kw (20 HP)	525 ft/min (2.66 m/seg)	483
Accessories	Louver	Damper	Metal Sreen Bird	Filters Holders/ Aluminum Filters	Stainless Steel Wet Section

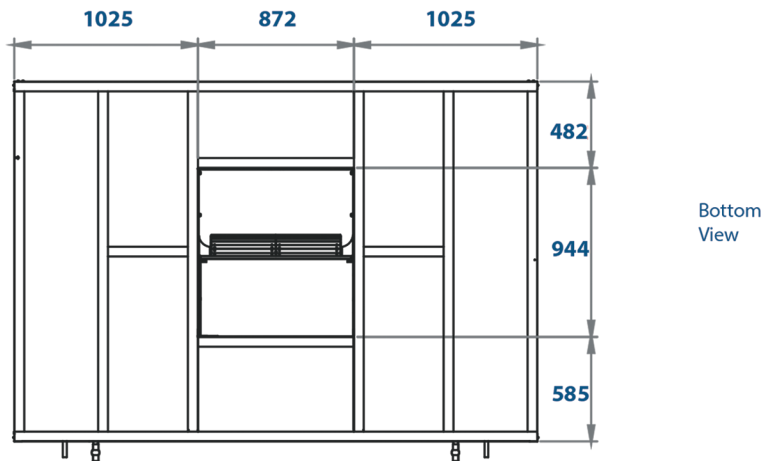
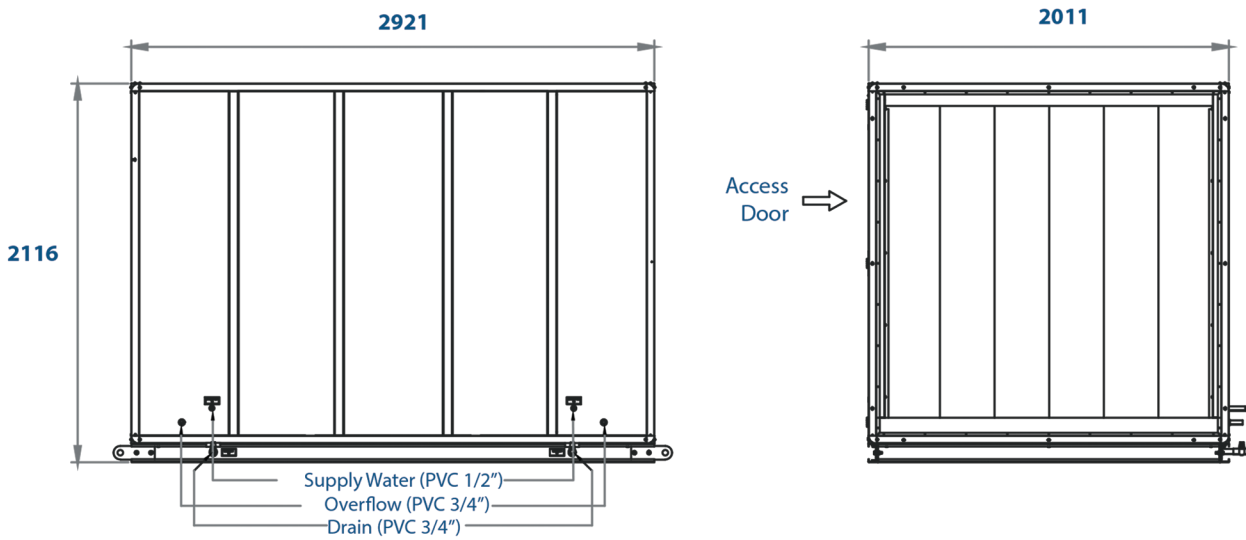
HP	STATIC PRESSURE inwg / mmca									
	0.25" / 6.35 mm		0.375" / 9.525 mm		0.500" / 12.7 mm		0.625" / 15.875 mm		0.75" / 19.05 mm	
	RPM dB(A)	CFM m ³ /hr	RPM dB(A)	CFM m ³ /hr	RPM dB(A)	CFM m ³ /hr	RPM dB(A)	CFM m ³ /hr	RPM dB(A)	CFM m ³ /hr
5	260	21,273	263	20,811	276	20,025	283	18,826	300	17,929
	70.4	36,143	70	35,357	73	34,022	73	31,985	73	30,461
7 1/2	305	25,204	308	24,972	312	24,857	320	24,074	332	23,185
	74.0	42,822	76	42,428	77	42,232	77	40,901	77	39,391
10	341	28,487	342	28,210	343	28,078	344	27,532	350	26,393
	77	48,400	79	47,928	79	47,704	79	46,778	79	44,842
15	415	33,613	420	33,495	424	33,345	427	33,363	412	32,834
	80	57,109	83	56,909	83	56,653	83	56,684	83	55,785
20	500	37,789	483	37,459	470	37,195	465	37,195	455	36,931
	84	64,204	85	63,643	85	63,194	85	63,194	85	62,745

HP	STATIC PRESSURE inwg / mmca									
	0.875" / 22.225 mm		1.000" / 25.4 mm		1.125" / 28.575 mm		1.250" / 31.750 mm		1.500" / 38.1 mm	
	RPM dB(A)	CFM m ³ /hr	RPM dB(A)	CFM m ³ /hr	RPM dB(A)	CFM m ³ /hr	RPM dB(A)	CFM m ³ /hr	RPM dB(A)	CFM m ³ /hr
5	316	16,933	327	15,937	350	14,729	372	13,613	385	12,854
	73	28,769	73	27,077	73	25,025	75	23,129	77	21,838
7 1/2	340	22,159	348	21,247	360	20,117	380	18,925	390	18,261
	77	37,648	77	36,099	77	34,178	79	32,154	81	31,026
10	357	25,852	364	25,123	378	24,279	390	23,527	400	22,843
	79	43,922	79	42,683	79	41,250	81	39,972	83	38,810
15	410	32,108	411	31,051	408	29,912	419	29,201	425	28,210
	83	54,551	83	52,755	82	50,820	84	49,612	86	47,928
20	451	36,534	450	35,873	451	35,285	450	31,825	452	33,825
	85	62,072	85	60,949	84	59,950	86	54,071	89	57,468

Dimensions VALH 72



Dimensions VALV 72



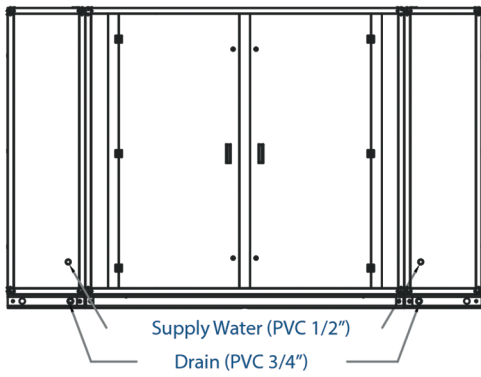
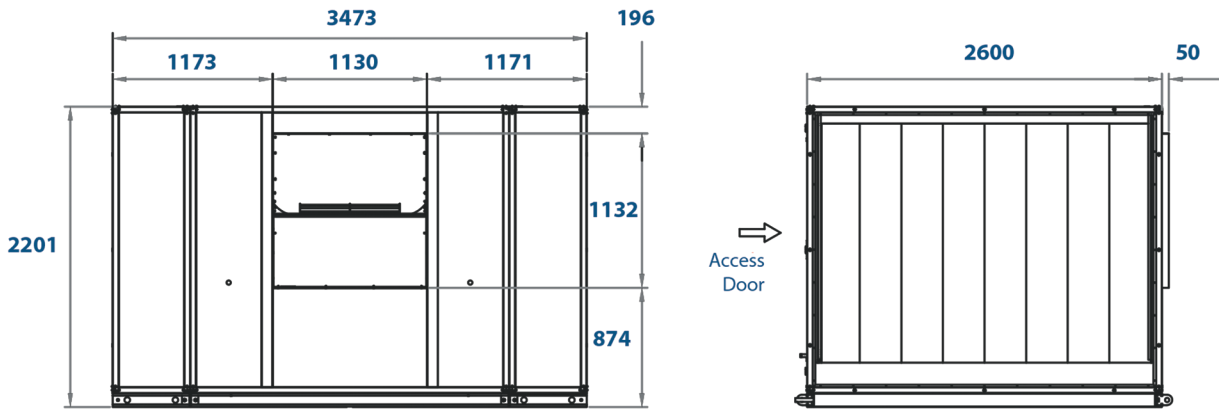
Main Features VAL 96

Filtering Area	Specification				
	# of Walls	Media face area	Pad Cooling		Thickness
	2	96 ft2 (8.92 m2)	Made with corrugated cellulose paper with 45 degree flute angles bonded together, the pads wet faster and result in immediate cooling and potentially less system running time. These pads are 100% biodegradable and recyclable.		12 in (304.8 mm)
Pump	Model	Voltage	Hz	HP	Note
	5 MSP Little Giant	127	60	1/6	Standard
Components	Bearings	Wet Section		Wet Section Capacity (Lts)	
	Floor	1		211.95	
Set	Max CFM	Static Pressure	Max Power	Max Face Velocity	Max RPM
	60,330 CFM (102,500 m3/hr)	1.5 inwg (38.1 mmca)	29.84 Kw (20 HP)	628 ft/min (3.19 m/seg)	402
Accessories	Louver	Damper	Metal Sreen Bird	Filters Holders/ Aluminum Filters	Stainless Steel Wet Section

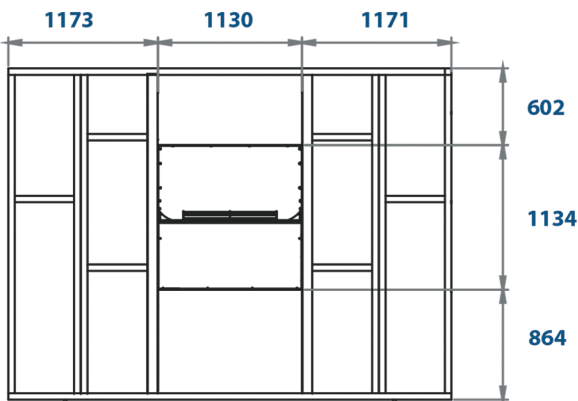
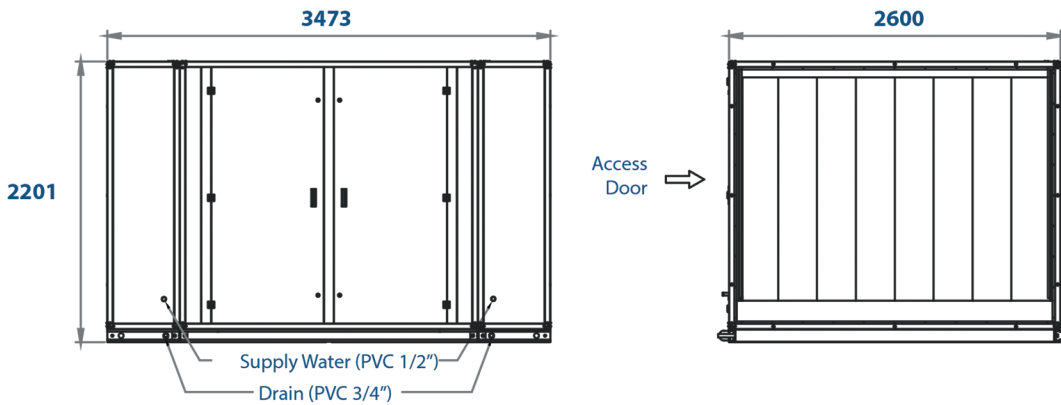
HP	STATIC PRESSURE inwg / mmca									
	0.25" / 6.35 mm		0.375" / 9.525 mm		0.500" / 12.7 mm		0.625" / 15.875 mm		0.625" / 15.875 mm	
	RPM dB(A)	CFM m³/hr	RPM dB(A)	CFM m³/hr	RPM dB(A)	CFM m³/hr	RPM dB(A)	CFM m³/hr	RPM dB(A)	CFM m³/hr
10	238	36,442	242	35,944	250	35,572	258	34,630	265	33,667
	79.8	61,915	76.2	61,069	73.7	60,437	71.7	58,837	69.9	57,200
15	275	42,916	280	42,731	278	42,422	290	41,823	290	40,696
	84.5	72,915	80.9	72,600	78.4	72,075	76.4	71,058	74.7	69,143
20	300	47,356	305	47,128	303	46,525	310	46,288	315	45,506
	87.1	80,457	83.5	80,070	81.0	79,046	79.0	78,643	77.3	77,315
25	320	51,055	325	50,874	331	50,685	338	50,315	341	49,575
	89.1	86,743	85.6	86,435	83.1	86,115	81.1	85,485	79.4	84,228
30	352	55,495	354	55,559	352	55,183	364	54,806	360	54,385
	91.1	94,285	87.5	94,395	85.0	93,756	83.0	93,116	81.4	92,400
40	375	60,304	380	60,151	377	60,077	389	59,700	385	59,564
	91.8	102,457	88.3	102,197	85.8	102,070	83.8	101,430	82.2	101,200

HP	STATIC PRESSURE inwg / mmca									
	0.875" / 22.225 mm		1.000" / 25.4 mm		1.125" / 28.575 mm		1.250" / 31.750 mm		1.500" / 38.1 mm	
	RPM dB(A)	CFM m³/hr	RPM dB(A)	CFM m³/hr	RPM dB(A)	CFM m³/hr	RPM dB(A)	CFM m³/hr	RPM dB(A)	CFM m³/hr
10	278	32,187	290	31,077	300	29,597	313	28,118	343	24,048
	68.4	54,685	67.1	52,800	65.9	50,285	64.7	47,772	62.5	40,857
15	302	39,956	310	39,032	312	37,737	325	36,626	347	34,037
	73.3	67,885	72.0	66,315	70.8	64,115	69.8	62,228	67.9	57,828
20	320	44,766	325	44,042	333	43,286	340	42,361	355	40,696
	75.9	76,057	74.7	74,828	73.6	73,543	72.6	71,972	70.8	69,143
25	345	49,205	347	48,465	350	47,725	354	47,171	370	45,506
	78.1	83,600	76.9	82,343	75.8	81,085	74.8	80,143	73.1	77,315
30	360	54,015	363	53,275	366	52,535	370	51,795	379	46,246
	80.1	91,771	78.8	90,515	77.8	89,257	76.7	88,000	74.7	78,572
40	385	59,195	391	58,824	393	58,084	392	57,715	402	56,605
	80.9	100,572	79.7	99,943	78.6	98,685	77.7	98,057	76.0	96,172

Dimensions VALH 96



Dimensions VALV 96





www.climasinternational.com

Climas International CO.

1925 E Missouri Ave
El Paso, Tx 79903

Office Hours:

8:00 - 17:00 hrs
Tel. 915 279-4797

Warehouse/Factory

C. San Ramon S/N
Col. Las Animas
Chihuahua, Chih, MX
Tel. +52 656 207-3377

Corporate Offices

Av. Valle Escondido #5700-501
Col. Valle del Ángel
CP. 31125
Tel. +52 614 545-1750



**Climas
International
Co.**